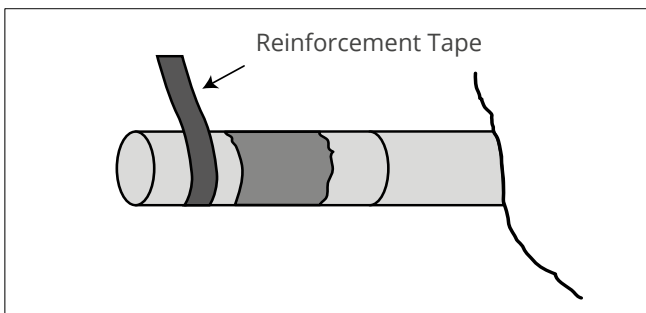
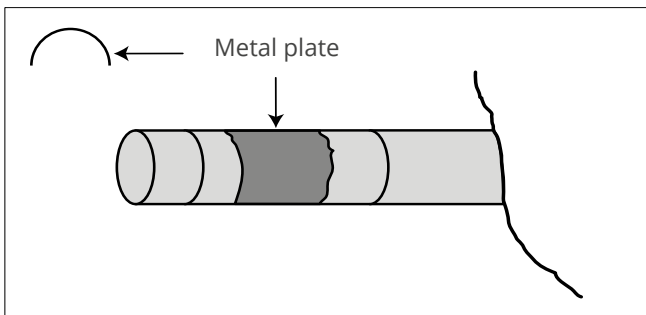
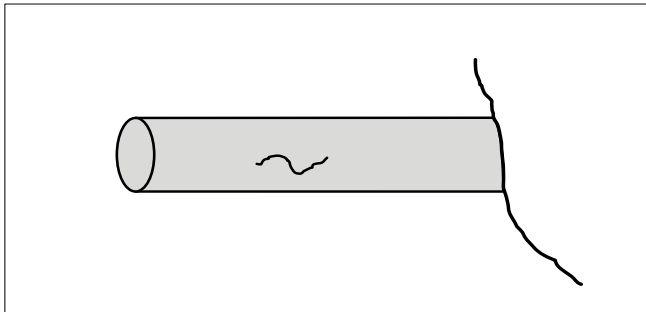


## Pipe repair - ballast pipes

APPLICATION DATA SHEET No. 151



On all pipe repairs, consider temperature and pressure during operation. This will help you to choose the right Wencon product and the right application data sheet.

Guideline for the use of Wencon products:

**For normal temperatures:**

Use Wencon UW Cream or Rapid.

**For top coating:**

Use Wencon blue / white coating.

**For high temperature pipes:**

Use Wencon Hi-Temp or Ceramic products.

**For wet surface (ballast pipes):**

Use Wencon UW Cream and Wencon UW Coating as top coating.

Wencon Coating products are suitable for repairs on both steel and GRE (Epoxy) pipes.

1. Drain or de-pressurize the pipe. Clean and dry the repair area and determine the size of the leak.
2. With an angle grinder, a Rotating Blaster or coarse emery cloth, grind a belt around the pipe over an area of 10-15 cm (4-6 inch) wider than the leak. Clean the repair spot thoroughly acc. to Wencon surface preparation, next page.
3. If liquid is still coming out of the leak, mix and apply a suitable amount of Wencon Putty or Wencon UW Putty, directly into the crack, to stop the leak. Clean again acc. to Wencon Surface preparation.
4. Cover the leak with a metal plate bended in the same shape as the pipe using Wencon UW Cream as a glue. Blast /Grind and clean the metal plate on both sides.
5. Apply the first layer of Wencon UW Cream, using a brush or a spatula. (0,3-0,5 mm / 0.01-0.02 inch)
6. Again apply a layer of Wencon, and repeat until you have 3 layers of Wencon Reinforcement Tape and 4 layers of Wencon UW Cream.
7. For repairs that shall last for a longer period, we recommend to apply extra 2 layers of Wencon UW Cream using the same method.

Curing time can be speeded up by heating up using halogen lamps or similar.

To see the theoretical coverage rate please refer to product information in chapter 1, of the Wencon User Manual.

## Wencon surface preparation

Choose the relevant surface preparation, depending on the nature of the job.

Surface preparation using dry blasting methods:

Application with Wencon products on a dry surface, at minimum 3°C above dew point.

1. Blast the machine part to SA 2,5 using sharp-edged blasting media, to a roughness of min. 75 microns.
2. Leave the part for sweating out salts in a warm place for at least 12 hours or heat it up to 30 - 40°C (86-104 °F) using gas torches.
3. Blast again to SA 2,5, prior to the application.
4. For parts containing a lot of water and salt, it may be necessary to repeat point 2 and 3, until the surface remains light grey, for at least 2 hours after blasting.
5. For optimal adhesion of Wencon products, always use Wencon Bio Cleaner or Wencon Cleaner prior to application. Follow one of below two methods:
  - 5.1 **Wencon Bio Cleaner**  
**Wet surface:** Apply Wencon Bio Cleaner and let it work for 5-10 min. If necessary use a brush, to make sure the surface is clean. Rinse off with clean water and wipe off with an absorbing cloth.  
  
**Dry surface:** Apply Wencon Bio Cleaner and let it work for 5-10 min. If necessary use a brush, to make sure the surface is clean. Rinse off with clean water and dry with an absorbing cloth or with compressed air for a completely dry surface. Hereafter any Wencon products can be applied.
  - 5.2 **Wencon Cleaner**  
After surface preparation, apply Wencon Cleaner with a brush and allow the product to evaporate before applying other Wencon products. Wencon Cleaner is non-flammable. Use only in large or well ventilated rooms.

Surface preparation using wet/damp methods:

Water jet the entire surface with water and sand to a standard equal, to SA 2,5 as described above.

If the surface is left wet after surface preparation, is it important to dry out the surface or alternatively use a Wencon UW product.

Surface preparation for emergency/temporary applications:

If above surface preparation methods are not possible, it may be necessary to use one of below methods:

- Blasting
- Grinding
- Needle Gunning

In emergency / temporary applications it may be difficult to prepare the surface according to above methods. In any case, it is important to clean the surface to SA 2,5 and 75 microns roughness. If possible dry the surface before applying. If not possible, use Wencon UW products.

For further information on Wencon surface preparation, please contact our Area Sales Managers.